

IP20-Plastic Rectangle Shell Series

Triac/0-10V/DALI/PUSH/RF/PWM/Zigbee Dimmable

Constant Voltage												
Model	Factor	Dimming Type							Output voltage¤t		Weight(g)	Size(mm)
		Zigbee	Triac	0-10V	DALI	PUSH	RF	PWM				
DR-CV-09	PF>0.95		✓						12V	750mA	50	84*29*20
	PF>0.5 No Flash								24V	375mA		
DR-CV-12	PF>0.95	✓	✓	✓	✓	✓	✓	✓	12V	1000mA	70	94*36*18
	PF>0.5 No Flash	✓	✓	✓	✓	✓	✓	✓	24V	500mA		
DR-CV-20	PF>0.95	✓	✓	✓	✓	✓	✓	✓	12V	1600mA	100	94*36*18
	PF>0.5 No Flash	✓	✓	✓	✓	✓	✓	✓	24V	800mA		
DR-CV-30	PF>0.95	✓	✓	✓	✓	✓	✓	✓	12V	2500mA	140	107*41*22
	PF>0.5 No Flash	✓	✓	✓	✓	✓	✓	✓	24V	1250mA		
DR-CV-40	PF>0.95	✓	✓	✓	✓	✓	✓	✓	12V	3300mA	160	133*46*24
	PF>0.5 No Flash	✓	✓	✓	✓	✓	✓	✓	24V	1700mA		
DR-CV-60	PF>0.95	✓	✓	✓	✓	✓	✓	✓	12V	4500mA	250	133*46*30
	PF>0.5 No Flash	✓	✓	✓	✓	✓	✓	✓	24V	2500mA		
DR-CV-80	PF>0.95	✓	✓	✓	✓	✓	✓	✓	12V	5500mA	370	170*50*30
	PF>0.5 No Flash	✓	✓	✓	✓	✓	✓	✓	24V	3300mA		
									36V	2200mA		
									48V	1600mA		

protect	Short circuit protection	Intermittent restart mode, after the exception can be automatically restored
	Overcurrent protection	Hiccup mode, after the removal of abnormal ffiow can be automatically restored
	Overvoltage protection	Hiccup mode, after the exception of abnormal pressure can be automatically restored

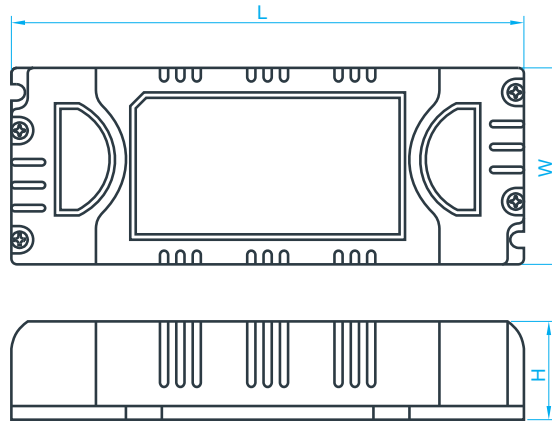
Environment	Operating Temperature/humidity	-30-45°C,5-95%RH
	Storage Temperature/humidity	-40-70°C,5-95%RH
	Temperature coeffcient	± 0.03% / °C(0-50°C)
	Vibration	5-55Hz/2g,30 Minutes

EMC Safety	Safety	EN60598
	Pressure	I/P-O/P:3KVAC IP-FG:1.88KVAC O/P-FG:0.5KVAC
	Insulation resistance	I/P-O/P I/P-FG O/P-FG:100MΩ /500VDC/25°C/70%RH
	EMC Emission	EN55022,EN55015 Class B
	EMC Immanity	EN61547,ENV5024,EN61000-4-2/3/4/6/8/11

IP20-Plastic Rectangle Shell Series

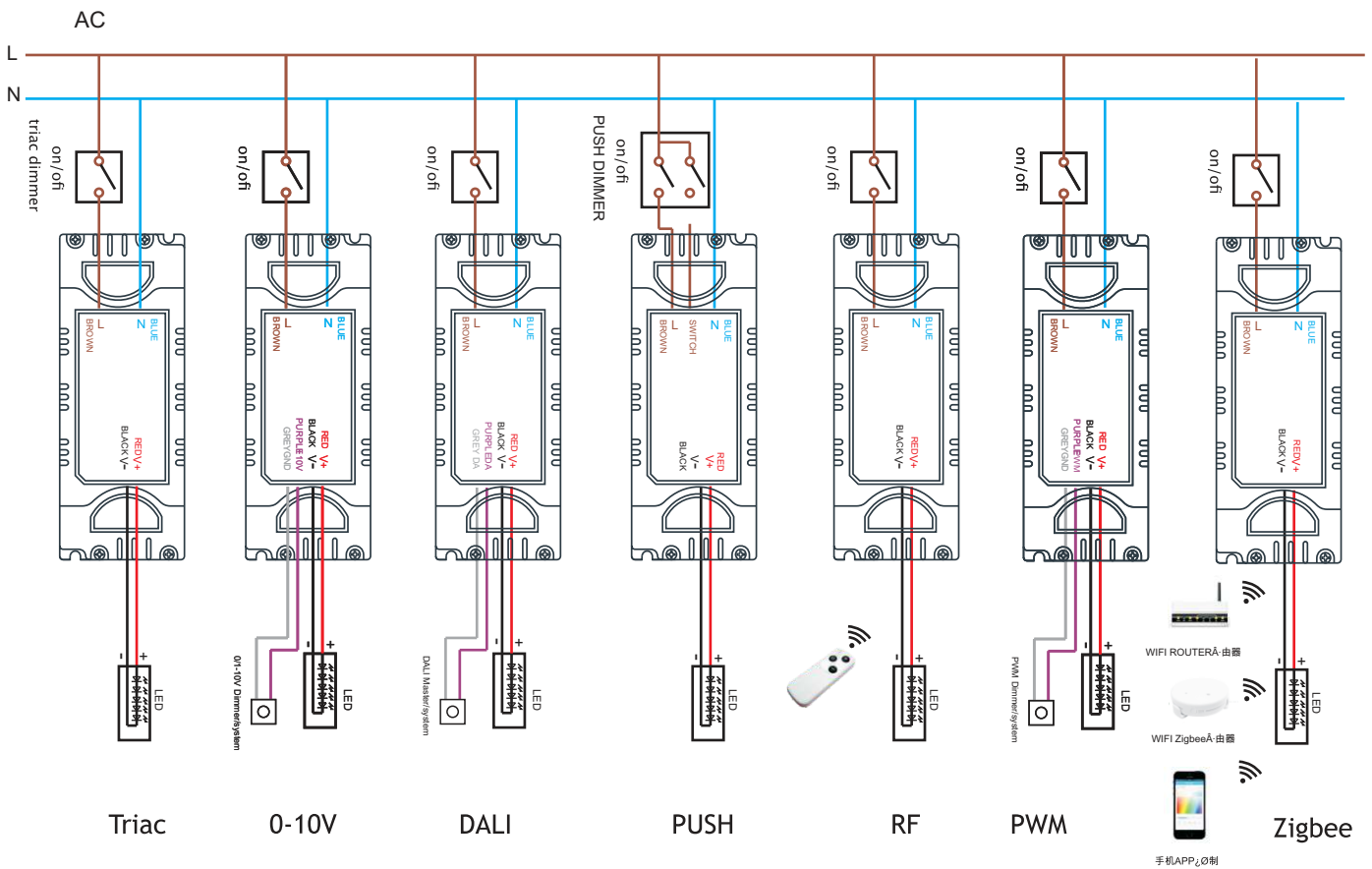
Triac/0-10V/DALI/PUSH/RF/PWM/Zigbee Dimmable

Shell structure



Units:mm

Wiring diagram



Wiring color

Input		Color	Output	Color	Dimmer line		Color
110V/AC	L	BLACK	+	RED	0-10V PWM	10V	PURPLE
	N	WHITE				GND	GREY
220V/AC	L	BROWN	-	BLACK	DALI	DA	PURPLE
	N	BLUE				DA	GREY